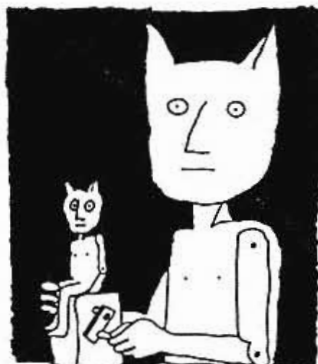


CMT NEWS 9

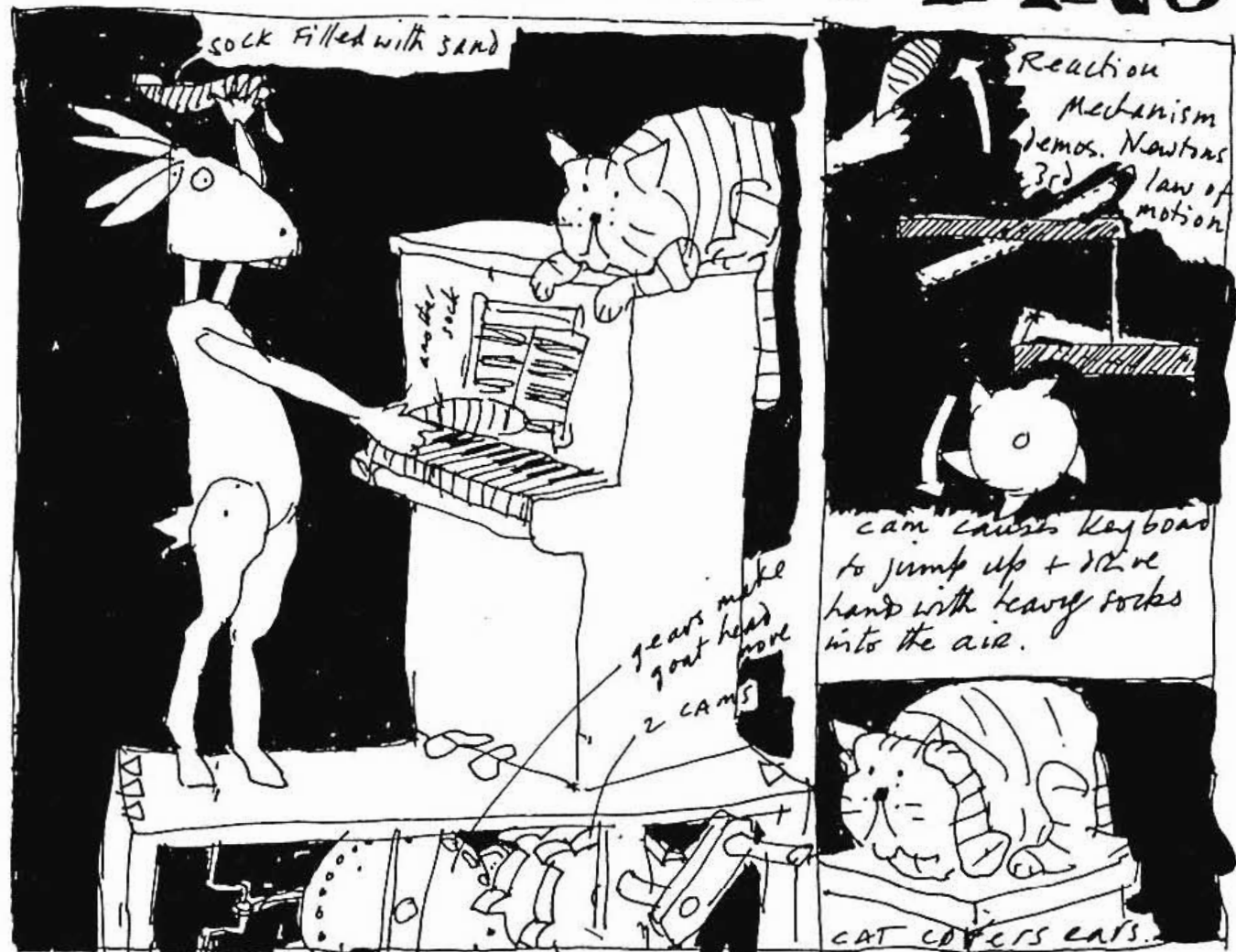
Cabaret Mechanical Theatre



November 11 1991

nice new things

A GOAT at the PIANO



A GOAT AT THE PIANO

The latest 14 Balls Toy is another glimpse into the bewildering world of Goat-Culture. To play the piano loudly enough to satisfy his rude tastes, a goat will prepare amplifiers in the form of two sand-filled socks with which to belabour someone else's piano. He also

takes care to place a heavy cat on the instrument to keep it from jumping about. Matt Smith executes this Paul Spooner design in a variety of rare hardwoods and almost forgotten strange metals using no fewer than 1,500 antique tools and appliances. The size is approximately 8" wide by 10" high. This is a limited edition of 24. Price is £263.20.



CMT NEWS 9

COMING SOON

**CABARET
MECHANICAL
VIDEO**

CAB VIDEO CAT

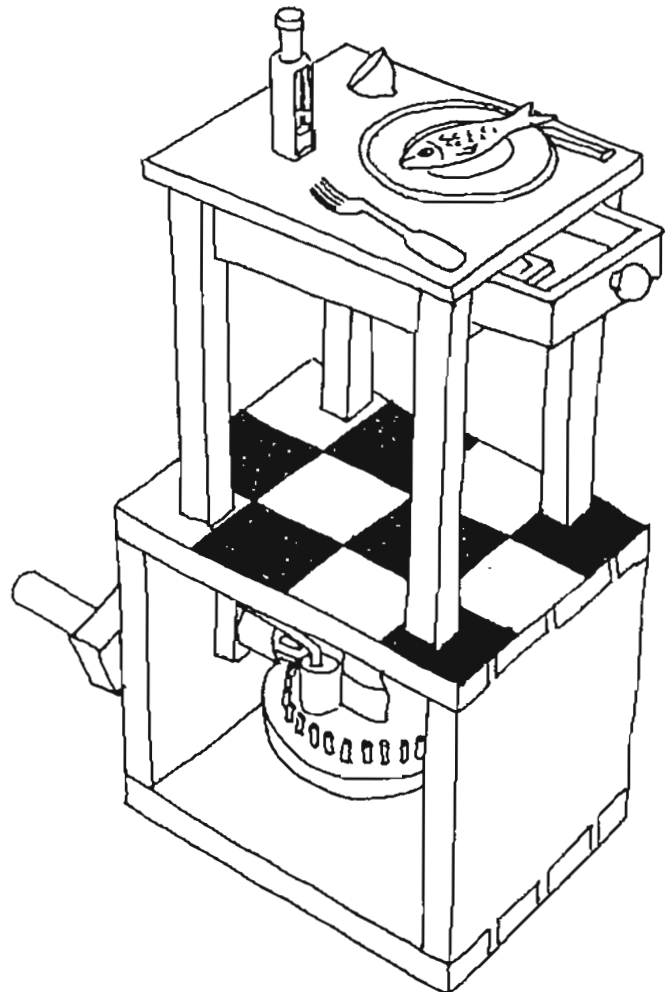
At last - a way to take Cabaret Mechanical Theatre home with you. A video catalogue featuring over 30 thirty machines in detail. The programme includes interviews with some of the makers in their workshops and also shows some machines which are not part of the CMT collection. The tape runs for around 45 minutes and will be available from December 9th for £14.99. (For U.S. and Japanese customers a NTSC version will be available for £16.99)

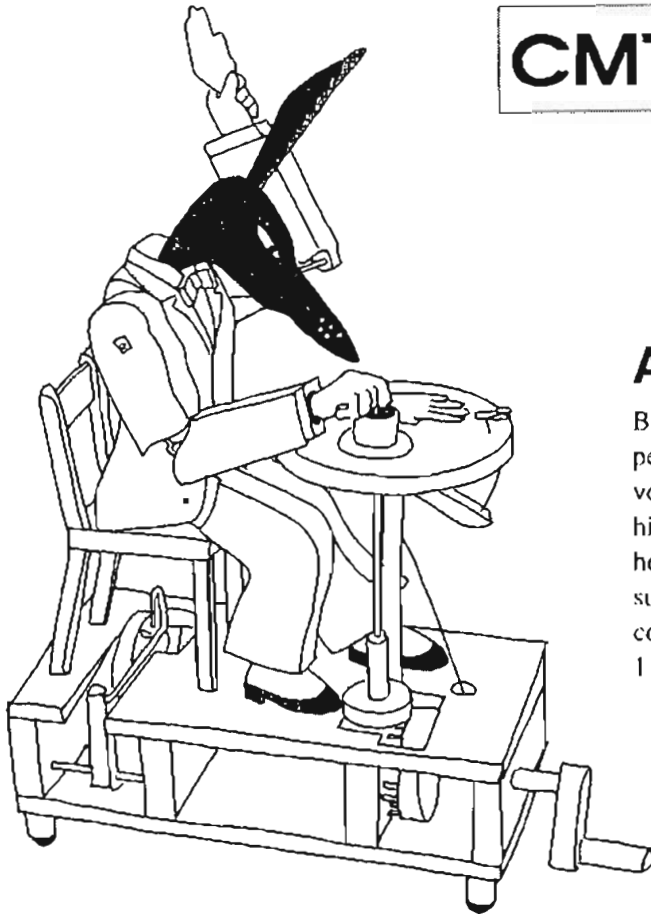
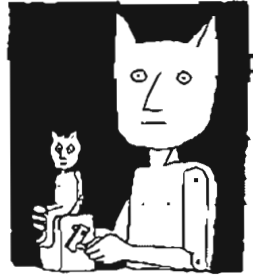
VISIT US

When was the last time you visited Cabaret Mechanical Theatre? Despite our restrictive location we are still adding to the collection regularly. Have you seen the new slot machines by Tim Hunkin (The Rabid Dog), Keith Newstead (Invasion of the Body Snatchers) and Tom Wilkinson (Sailor's Dream)? You should! Try to come in soon.

STILL LIFE

Matt Smith has designed and made this still life with fish and a poltergeist. This has a nice element of surprise. When the fish rotates on the plate the drawer flies open and the bottle and lemon move mysteriously. Size 4" x 7" high. Price £98.50.





ANUBIS IN MONTMATRE

Back by popular demand, Matthew Smith has been persuaded to make another small edition (of 12) of the very popular Paul Spooner design. 8" wide by 11" high. When Anubis manifests himself in modern times he takes care to dress so as to blend in with the surroundings - hence the Babar outfit. He stirs his coffee while attempting to swat the fly. 8" wide by 11" high. £310-20.

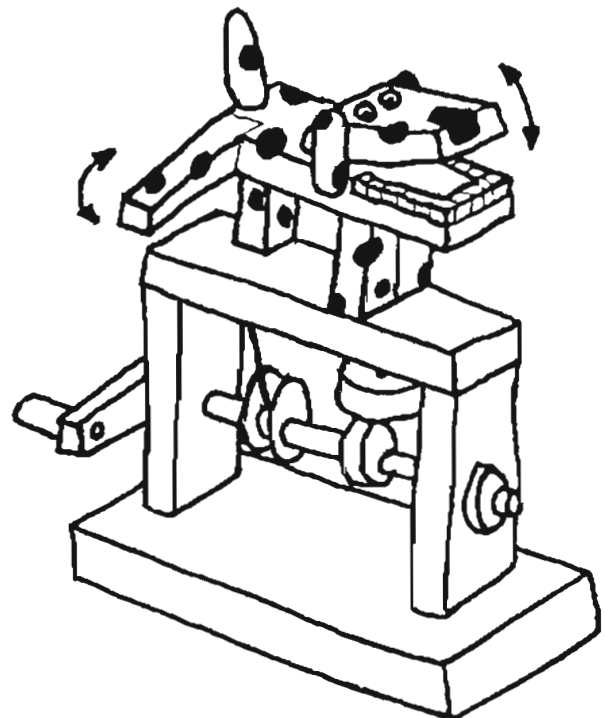
ANGRY COUPLE

The lady in the red dress mimes something operatic, the man sticks his fingers in his ears. Approx. size 7.5" x 8" high. £42.50.

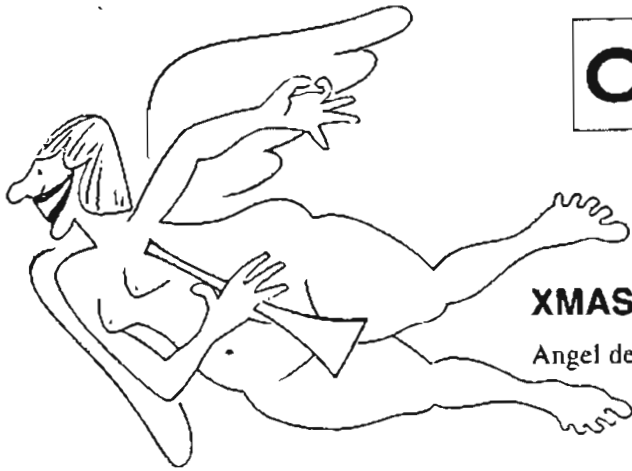


PEEING DOG

This tasteful piece is a variation on Peter Markey's dog made by Sue Stolpe. It cocks its leg in a charming manner. Approx. size 5.5" x 5.5" high. £29.75.



CMT NEWS 9



XMAS DECORATION

Angel designed by Ron Fuller. 7". £4.95.



THE STRESSOMETER

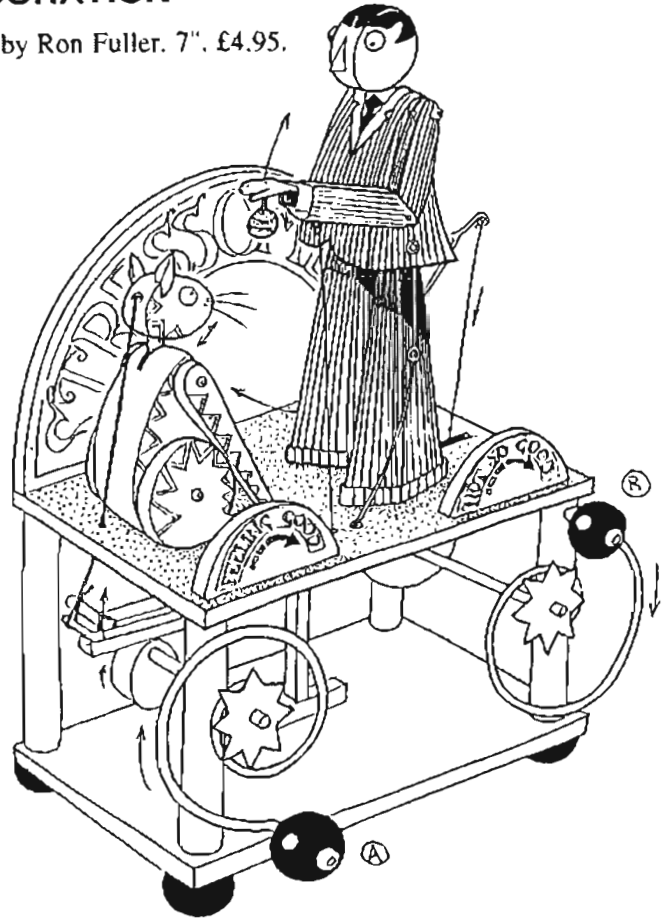
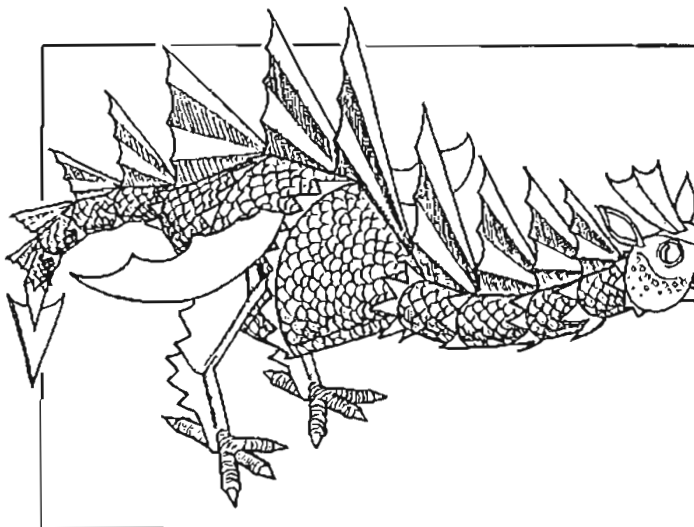
Keith Newstead's latest piece is ideal for the stressed-out business person or anyone else. Turn handle A to play with the cat (Calming mode). Or turn handle B to kick the cat (Stress relief mode). Size 7.5" x 5" x 12" high. Price £295.75

OTHER SHEET

We have included a sheet showing our more regular stock items. Please note that we can not guarantee stocks of any handmade items - they are all made in very small quantities. Get in touch if you want more information on anything mentioned here or if you want to know about the other things we have for sale - books, postcards etc.

DRAGON CUTOUT

For those of you who couldn't afford the dragon on the last CMT MEWS. We have a new card cutout produced by Keith Newstead. The dragon can be articulated into various positions. Looks great, about 15" long. £1.85.



HOW TO BUY

Prices include VAT but not Post and Packing. If you cannot come in then phone or write to find out how much money (Sterling) we need. Easiest is to phone with a credit card to hand. We accept Visa, Access/Mastercard, Amex, Diners and JCB. Most orders sent overseas are exempt from VAT (17.5%). Our phone number is (071) 379-7961. (International +44 71 379 7961). Credit card orders can be faxed on (081) 693-7664 (Int. +44 81 693 7664). Mail orders are handled by Gil and Marie. We are open from 10am (12 on Mondays) to 6.30 or 7pm every day. Our address is:

Cabaret Mechanical Theatre
33/34 THE MARKET, COVENT GARDEN
LONDON WC2E 8RE ENGLAND